

46 QP - POLYESTER WATERTIGHT BOARDS - IP65

TECHNICAL CHARACTERISTICS

Standard: EN 61439-1; EN 61439-2; EN 60439-1;	Impact resistance: IK10 in accordance to the EN 62262
Degree of protection: IP 65	Heat resistance: thermo-pressure with ball 200°C
Protection against indirect contacts: double insulation - □ (+)	Resistance to abnormal heat and fire: Glow wire test 960°C blank door versions; Glow wire test 650°C versions with door with porthole
Installation temperature: max. +60°C; min. -25°C	
Maximum rated operating voltage (Ue): 690V	
Rated insulation voltage (Ui): 1000V (in both AC and DC)	
Material: polyester reinforced with fibreglass, halogen-free in accordance with CEI 50267-2-2	

(*) Complete insulation, in compliance with EN 61140, obtained by using fixing brackets GW 46 446 and GW 46 451.

(*) Sized 2 to 6 can be certified as construction site boards in accordance with Standards IEC 60439-4, EN 60439-4, CEI EN 60439-4 and CEI 17-13/4.

The technical and operating characteristics refer to vertical installation only.

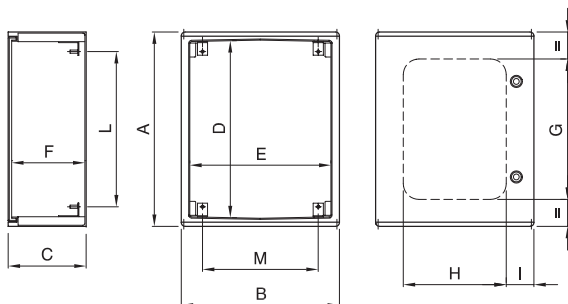
When adapting the boxes, adopt all the protective measures (mask, goggles, gloves, etc.) and procedures (airing of rooms) indicated on the instruction sheet.

BEHAVIOUR WITH CHEMICAL AND ATMOSPHERIC AGENTS

Saline solution	Acids		Bases		Solvents				Mineral oil	UV rays
	Concentrated	Diluted	Concentrated	Diluted	Hexane	Benzol	Acetone	Ethyl alcohol		
Resistant	Limited resistance	Limited resistance	Limited resistance	Limited resistance	Limited resistance	Limited resistance	Not resistant	Limited resistance	Resistant	Resistant

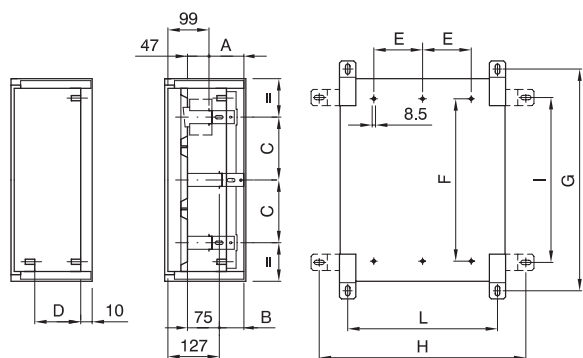
DIMENSION TABLES

BOARDS



Boards Code	GW 46 001 GW 46 201	GW 46 002 GW 46 202	GW 46 003 GW 46 203	GW 46 004 GW 46 204	GW 46 005 GW 46 205	GW 46 006 GW 46 206	GW 46 007 GW 46 207
A	300	424	499	649	649	799	1060
B	250	313	406	406	514	586	777
C	160	160	200	200	250	300	350
D	251	375	450	600	600	750	1000
E	206	269	362	362	470	542	722
F	154	154	194	194	244	294	342
G	205	310	360	510	510	650	827
H	140	169	264	264	380	440	577
I	71	71	71	71	71	71	100
L	203	327	402	552	552	702	952
M	141	202	297	297	405	477	657

Adjustment and fixing centre distances for watertight polyester boards

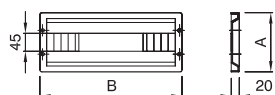


Boards Code	GW 46 001 GW 46 201	GW 46 002 GW 46 202	GW 46 003 GW 46 203	GW 46 004 GW 46 204	GW 46 005 GW 46 205	GW 46 006 GW 46 206	GW 46 007 GW 46 207
A	-	55	95	95	145	195	245
B	-	27	67	67	117	167	217
C	-	125	150	150	150	150	200
D	85	85	125	125	175	225	275
E	53	84.5	131	131	184	221	307
F	185	309	384	534	470	620	860
G	348	472	547	697	695	845	1088
H	311	374	467	467	573	643	819
I	208	332	407	557	557	705	948
L	171	234	327	327	433	507	679

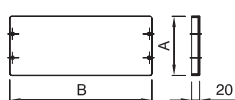
46 QP-ACS - COMPLEMENTARY ITEMS

DIMENSION TABLES

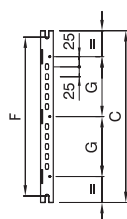
FRONT CONFIGURATION



panels with windows



1-module high blank panels



uprights

Panels with windows	GW 46 421 F	GW 46 421 F	GW 46 422 F	GW 46 423 F
Single blank panels	GW 46 426 F	GW 46 426 F	GW 46 427 F	GW 46 428 F
Uprights	GW 46 436 F	GW 46 437 F	GW 46 437 F	GW 46 438 F
For boards with dimensions LxH (mm)	405 x 500	405 x 650	515 x 650	585 x 800
Number of modules	18	18	24	28
A	149	149	149	149
B	358	358	466	538
C	430	580	580	730
F	402	552	552	702
G	150	150	150	150

68 ACS CONSTRUCTION SITE BOARD SYSTEM

Range of construction site boards complying with the CEI 64-8/7 Standard for applications on construction and demolition sites. The directives of CEI 64-8/7 specify that boards for electricity distribution on construction sites must comply with EN 60439-4, and extend this application to the following systems:

- new build;
- renovation, extension and demolition of existing buildings;
- public works;
- earth moving works;
- similar works.

The very name of an ACS (Assemblies for Construction Sites) board indicates that the product complies with the EN 60439-4 Standard. These boards are available in the Q-BOX, Q-DIN, COMBIBLOC and QMC versions, fully factory-wired, and are supplied with the relative certification and wiring diagram. Alternatively, it is possible to wire empty boards and obtain certification based on the configurations of the Pre-established Construction System.

TECHNICAL DATA AND COMPLIANCE WITH STANDARDS

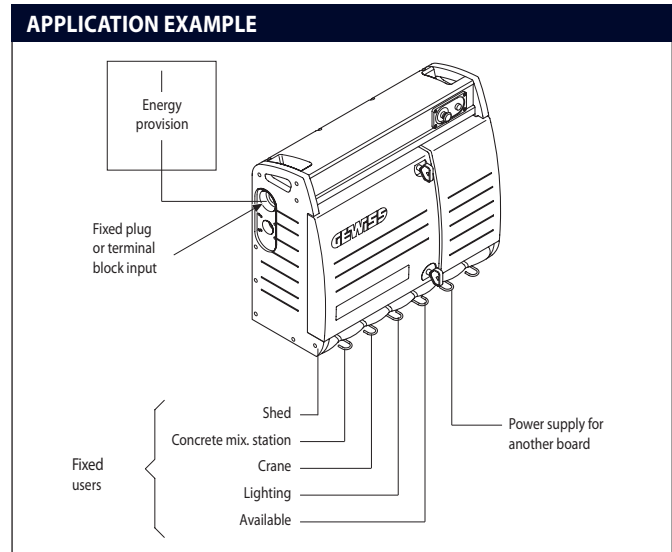
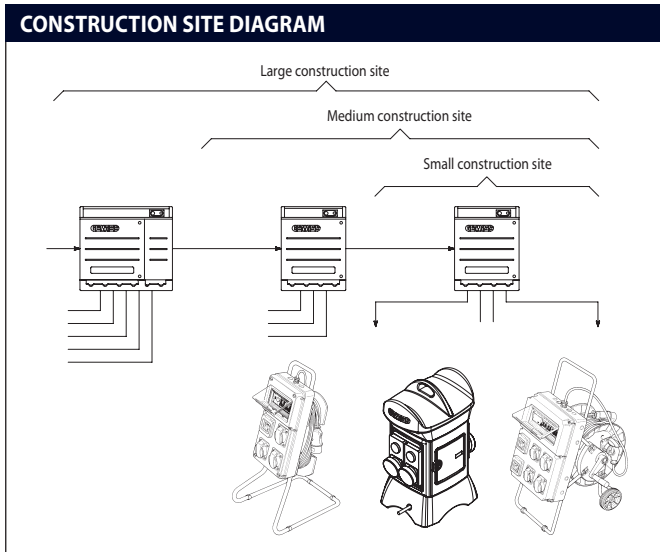
Board type	Reference Standards	Degree of protection (IP)	Insulation provided by the shell	Shell			Devices on main circuits	Accessories supplied	Accessories
				Impact resistance at ambient temperature (IK code)	Thermo-pressure with ball (°C)	Glow wire test (°C)			
Q-DIN	EN 60439-4	IP 44 IP 65	☐	Shell IK 09 Domestic socket-outlets IK 08	70	650	Residual current circuit breaker with overcurrent protection	-	- Handle for transport - Kit for pole coupling - Emergency push-button - Metal surface-mounting brackets - Additional modules - Support with cable-holder - Carrier with rotating drum - For Q-DIN 5 shockproof casing - Socket-outlet panels - Kit for pole fixing
Q-BOX 4-6 Fixed plug power supply		IP55		Shell IK 10					Residual current switch disconnecter with overcurrent protection
Q-BOX 4-6 Terminal block power supply				IK 08	80		- Support with cable-holder		
COMBIBLOC		IP55		IK 09	70		Emergency push-button		-
QMC		IP 56							

BEHAVIOUR WITH CHEMICAL AND ATMOSPHERIC AGENTS

Agent	Saline solution	Acids		Bases		Solvents				Mineral oil	UV rays
		Concentrated	Diluted	Concentrated	Diluted	Hexane	Benzol	Acetone	Alcohol		
Q-BOX	Resistant	Limited resistance	Resistant	Limited resistance	Resistant	Limited resistance	Limited resistance	Limited resistance	Resistant	Limited resistance	Resistant
Q-DIN	Resistant	Limited resistance	Resistant	Resistant	Resistant	Limited resistance	Not resistant	Not resistant	Limited resistance	Limited resistance	Limited resistance
Q-DIN 5 shockproof casing	Limited resistance	Not resistant	Limited resistance	Limited resistance	Resistant	Resistant	Resistant	Resistant	Resistant	Resistant	Resistant
COMBIBLOC	Limited resistance	Not resistant	Limited resistance	Limited resistance	Resistant	Resistant	Resistant	Resistant	Resistant	Resistant	Resistant
QMC	Resistant	Limited resistance	Resistant	Limited resistance	Resistant	Limited resistance	Limited resistance	Limited resistance	Resistant	Limited resistance	Resistant

The range enables you to fully cover all installation solutions which can arise on a construction site and, specifically:

- Possibility of connecting and co-ordinating various boards in order to create the whole system rapidly and safely on the construction site.
- Versions with fixed plug or terminal block input unit.
- Availability of various movable Q-DIN/COMBIBLOC and QMC for supplying power to movable users, which can be used anywhere.

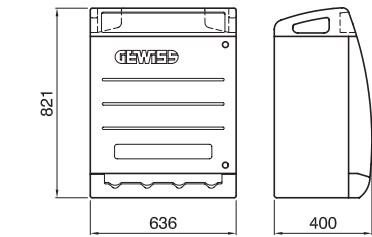


APPLICATION FIELDS											
ACS board type	Type of construction site			Use as a distribution board			Typical function	Specifications	Item code		
	Small $I \leq 32A$	Medium $I \leq 63A$	Large $I \leq 100A$	Main	Area	Flat					
QMC Q-DIN (all versions) COMBIBLOC	•					•	Direct powering of tools	<ul style="list-style-type: none"> • Extremely easy product handling • Availability of supports and carrier for convenient positioning 	All ACS models proposed		
		•				•					
						•					
Q-BOX 4	•					•	Direct powering of tools	<ul style="list-style-type: none"> • Emergency stop push-button • Mains presence indicator light • Possibility of securing access to the board or protection devices with a key • Surface-mounting or support-mounting, to avoid blocking work areas/passageways • Presence of IEC 309 socket-outlets only 	GW 68 481 GW 68 482		
		•		•	•					Power supply for fixed/movable users and other boards	GW 68 483 GW 68 513 GW 68 514 GW 68 484 GW 68 511 GW 68 512 GW 68 541 GW 68 542
			•		•						
Q-BOX 6	•					•	Direct powering of tools	<ul style="list-style-type: none"> • Emergency stop push-button • Mains presence indicator light • Possibility of securing access to the board or protection devices with a key • Surface-mounting or support-mounting, to avoid blocking work areas/passageways • Presence of IEC 309 socket-outlets only 	GW 68 473		
		•		•	•					Power supply for fixed/movable users and other boards	For area distribution board: GW 68 491 - GW 68 474 - GW 68 492 GW 68 493 - GW 68 494 - GW 68 471 GW 68 472*
			•	•	•						

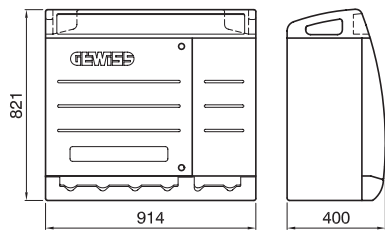
*Used to feed users directly in special systems

DIMENSION TABLES

Q - BOX 4/6 BOARDS

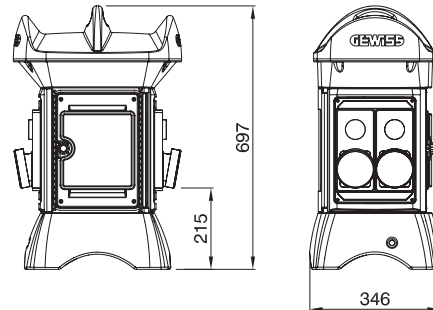


GW 68 465

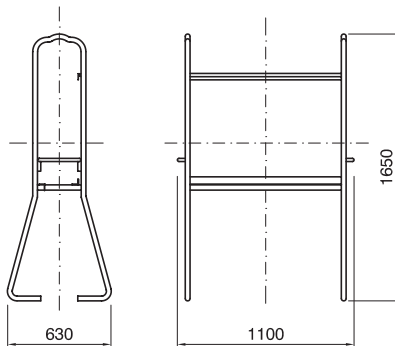


GW 68 466

COMPACT TERMINAL QMC 16T

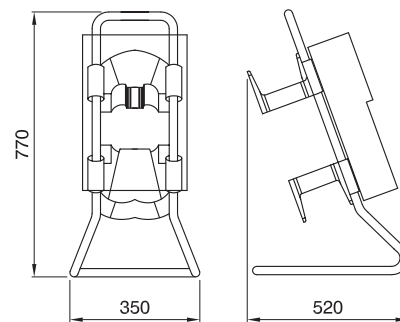


Q-BOX 4/6 CONSTRUCTION SITE SUPPORT



GW 68 463

COMBIBLOC SUPPORT



GW 66 388
GW 66 389